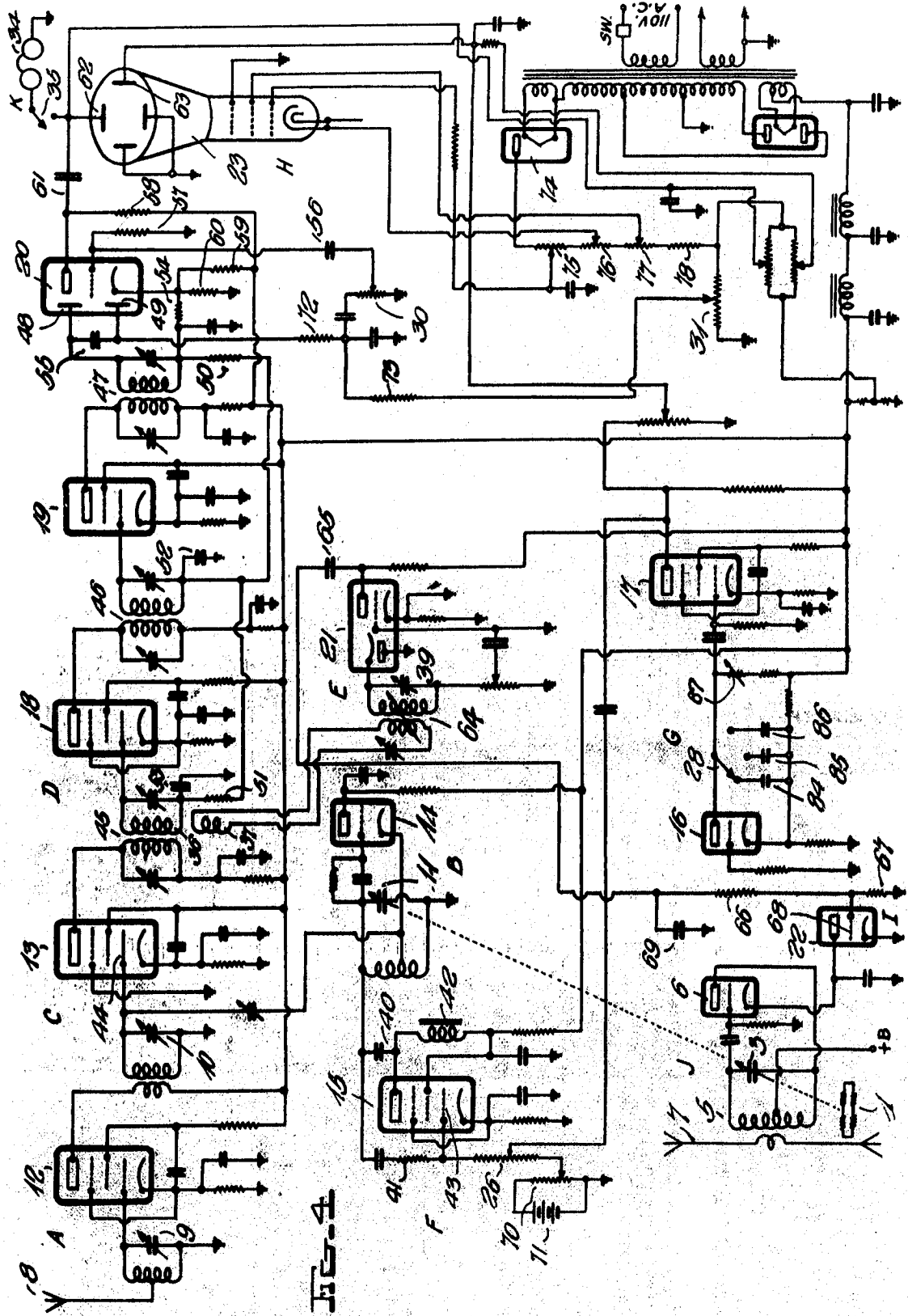


Certified to be the drawings referred to in the specification hereunto annexed.

MONTREAL APRIL 12<sup>TH</sup> 1941

INVENTOR  
M. WALLACE

BY *Fetherstonhaugh & Co.*  
ATTORNEYS



Certified to be the drawings referred to  
in the specification hereunto annexed.

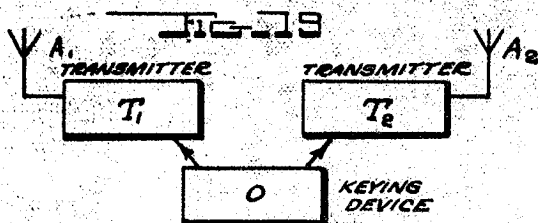
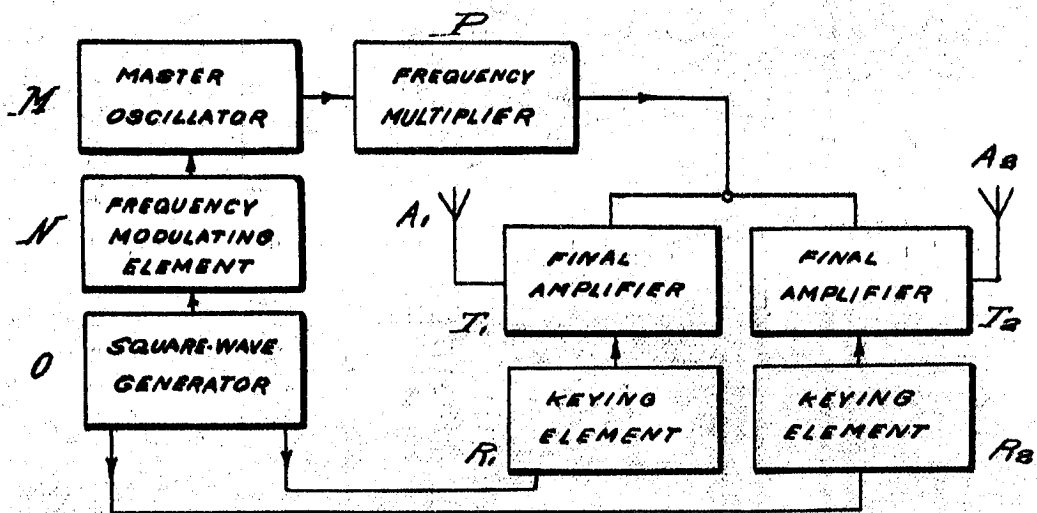
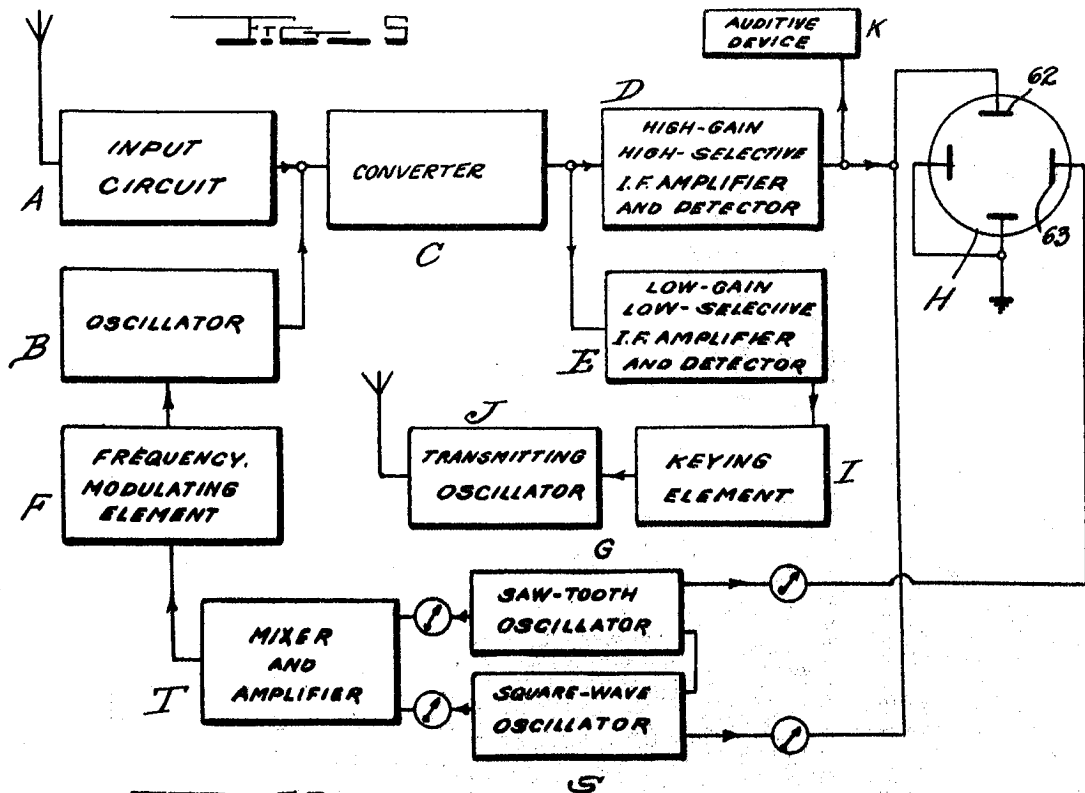
MONTREAL APRIL 12<sup>TH</sup> 1941

INVENTOR

M. WALLACE

BY *Johnstonhaugh Co.*

ATTORNEYS



Certified to be the drawings referred to in the specification hereunto annexed.

MONTREAL APRIL 12<sup>TH</sup> 1941

INVENTOR

M. WALLACE

BY *Fisherstonhaugh & Co.*

ATTORNEYS

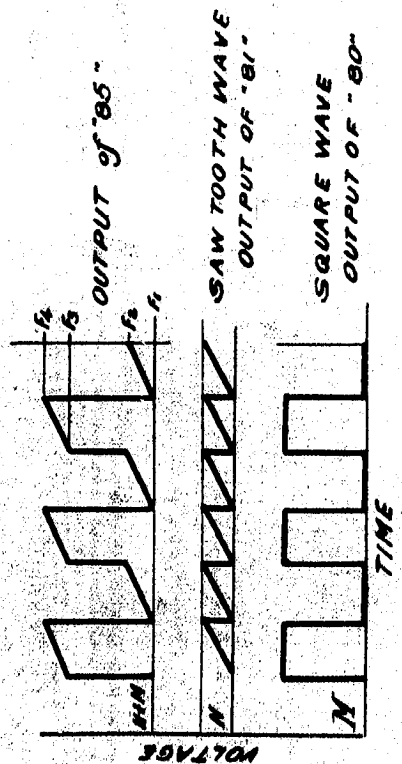
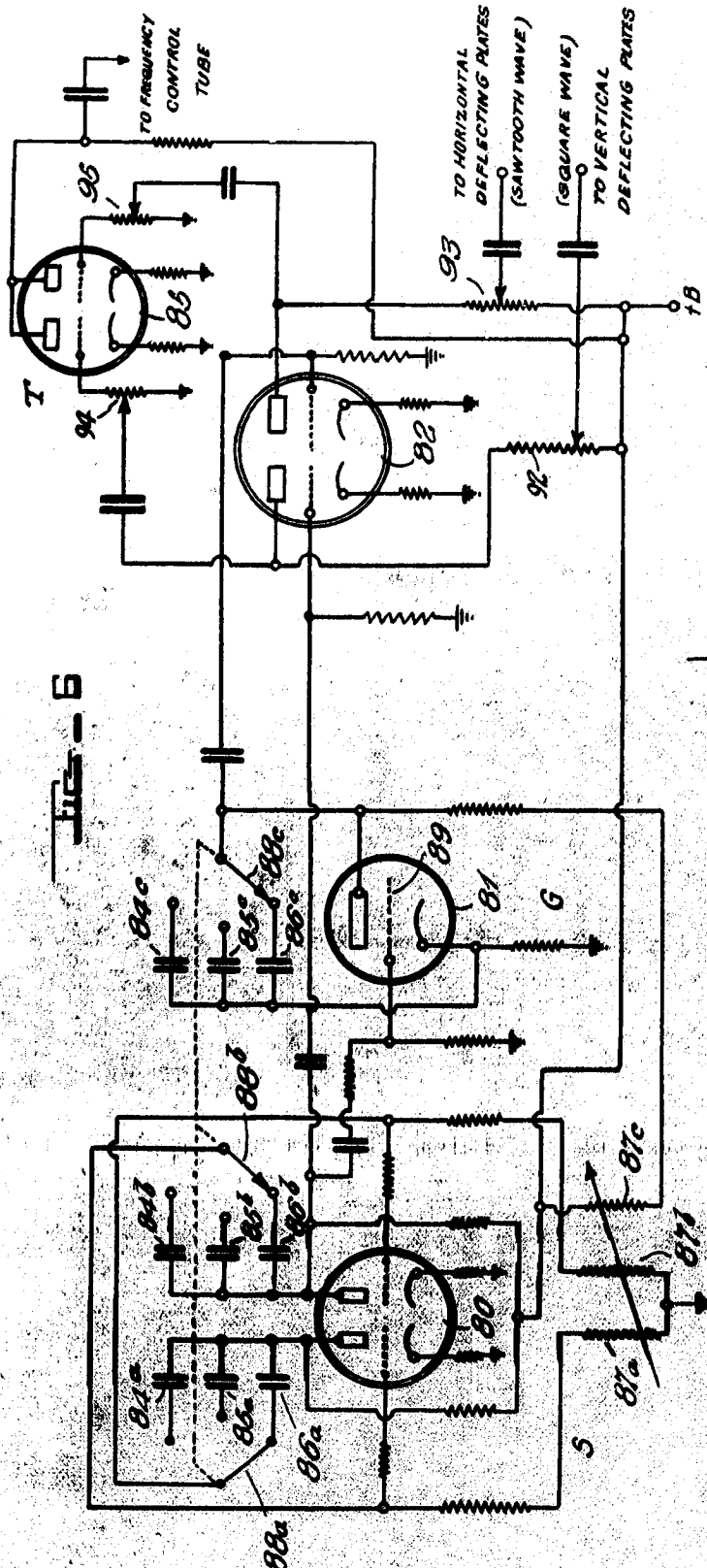


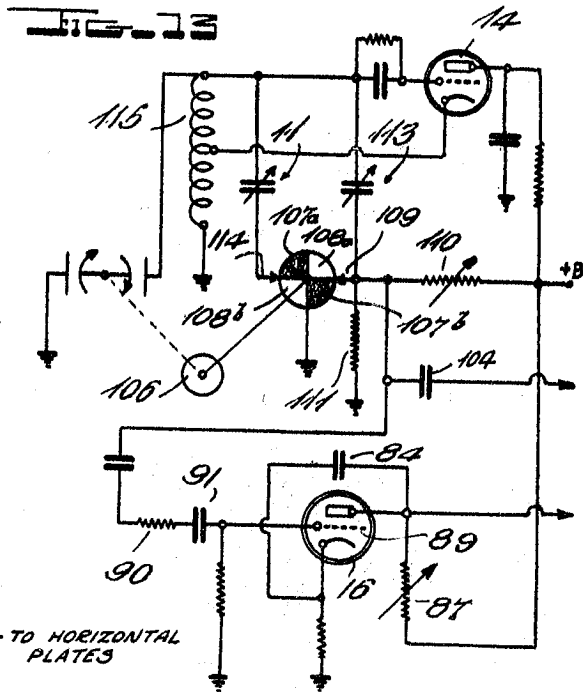
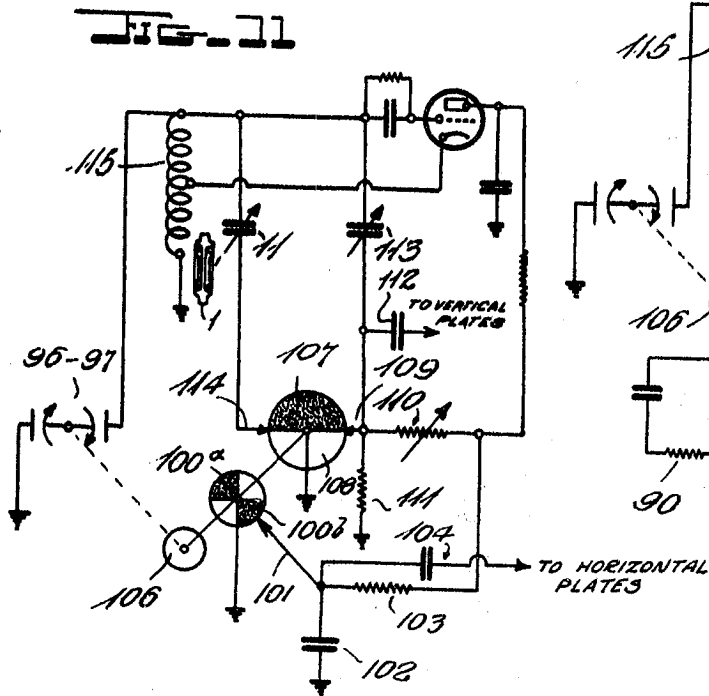
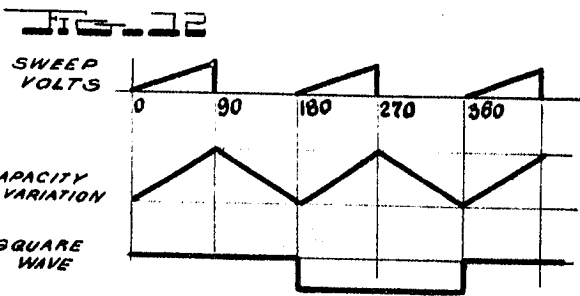
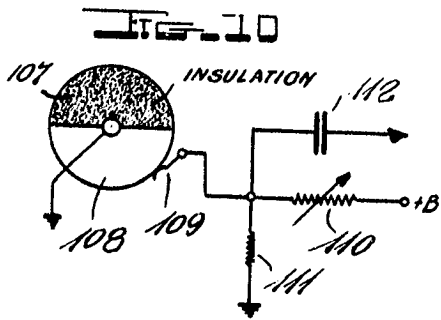
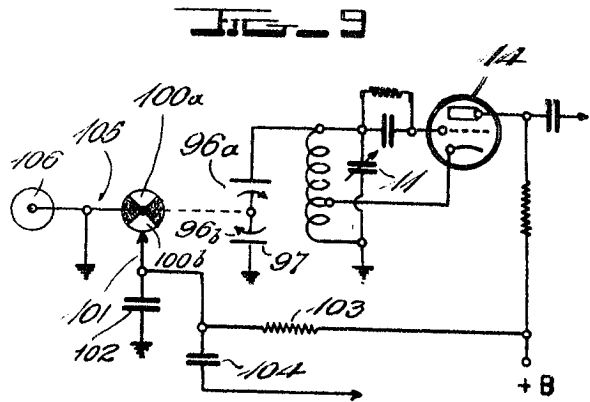
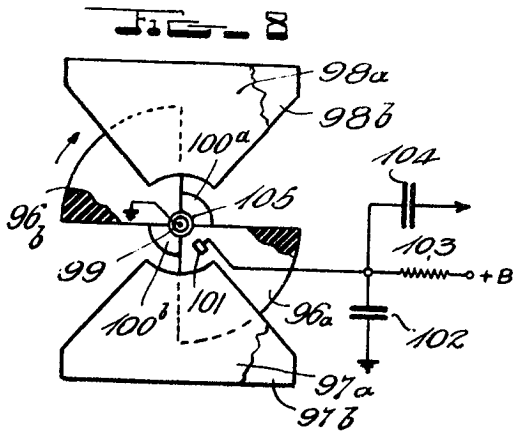
FIG. 6

FIG. 7

Certified to be the drawings referred to in the specification herewith annexed.

MONTREAL APRIL 12<sup>TH</sup> 1941

INVENTOR  
M. WALLACE  
BY *Featherstonhaugh & Co.*  
ATTORNEYS



Certified to be the drawings referred to  
in the specification hereunto annexed.

MONTREAL APRIL 12<sup>TH</sup> 1941

INVENTOR

M. WALLACE

BY *Fetherstonhaugh & Co.*

ATTORNEYS

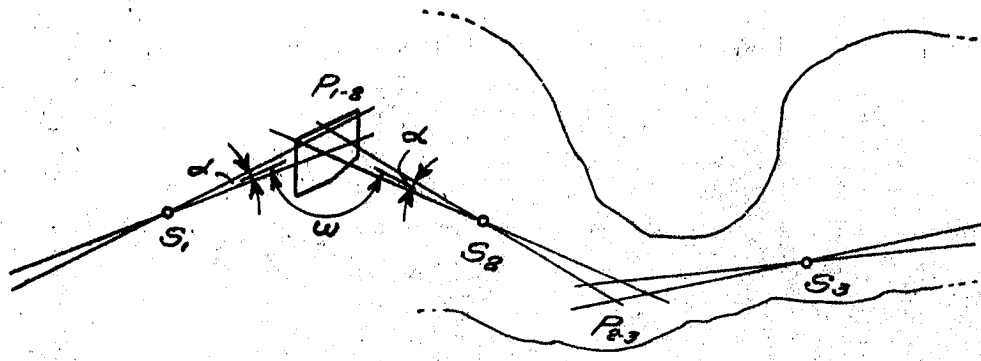
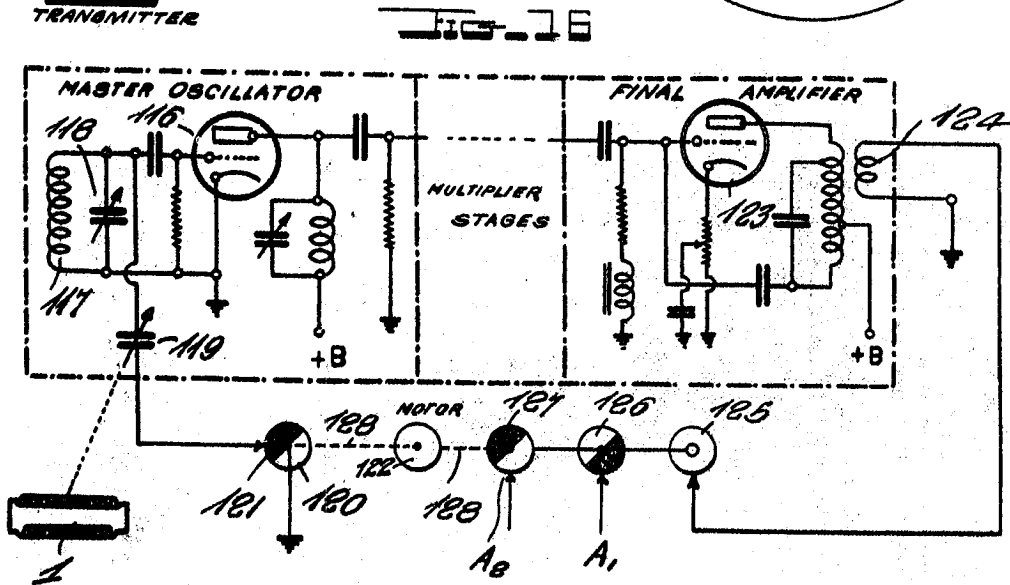
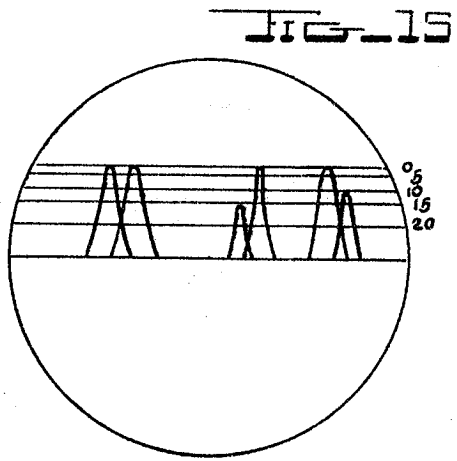
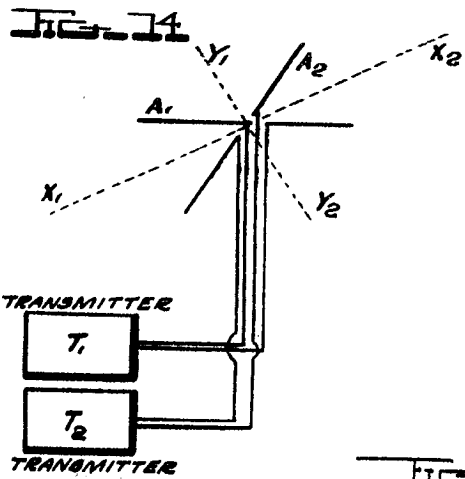
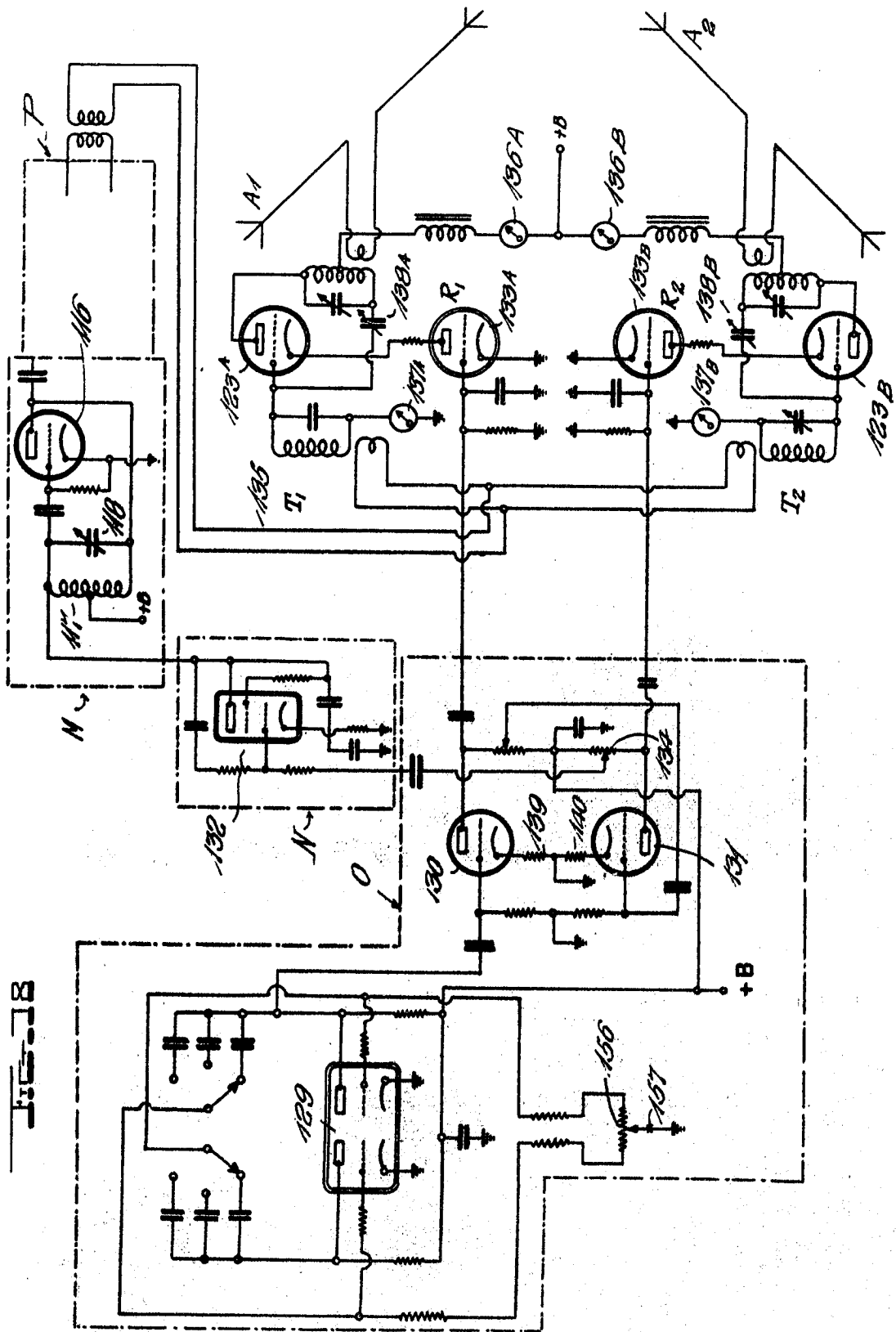


FIG. 20

Certified to be the drawings referred to in the specification hereunto annexed.

MONTREAL APRIL 12<sup>TH</sup> 1941

INVENTOR  
M. WALLACE  
BY *Fetherstonhaugh Co.*  
ATTORNEYS



Certified to be the drawings referred to  
in the specification hereunto annexed.

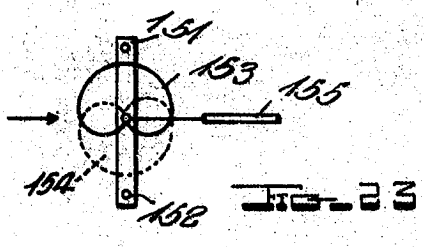
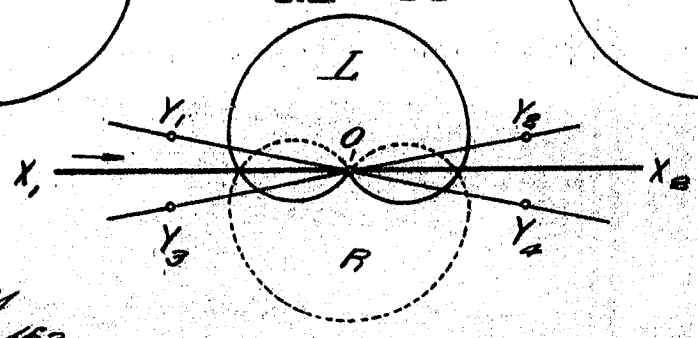
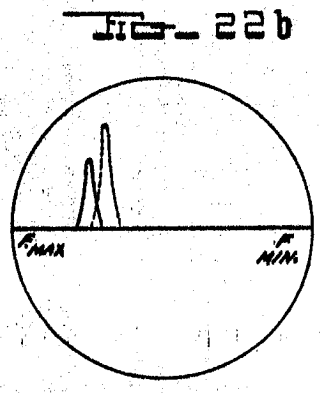
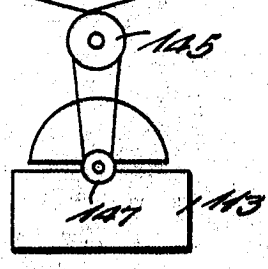
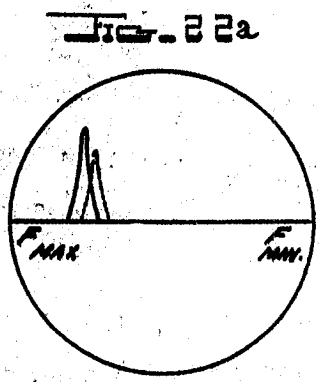
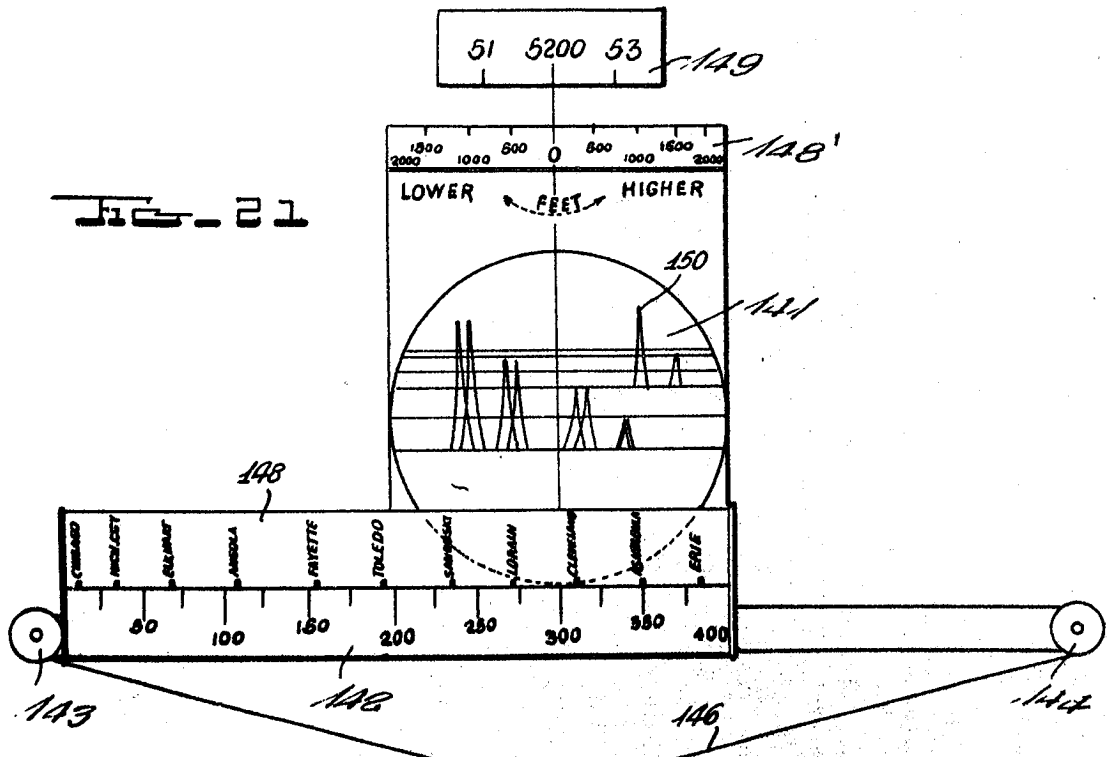
MONTREAL APRIL 12<sup>TH</sup> 1941

INVENTOR

M. WALLACE

BY *Fetherstonhaugh & Co.*

ATTORNEYS



Certified to be the drawings referred to in the specification hereunto annexed.

MONTREAL APRIL 12<sup>TH</sup> 1941

INVENTOR  
M. WALLACE  
BY *Fetherstonhaugh Co.*  
ATTORNEYS



FIG. 24

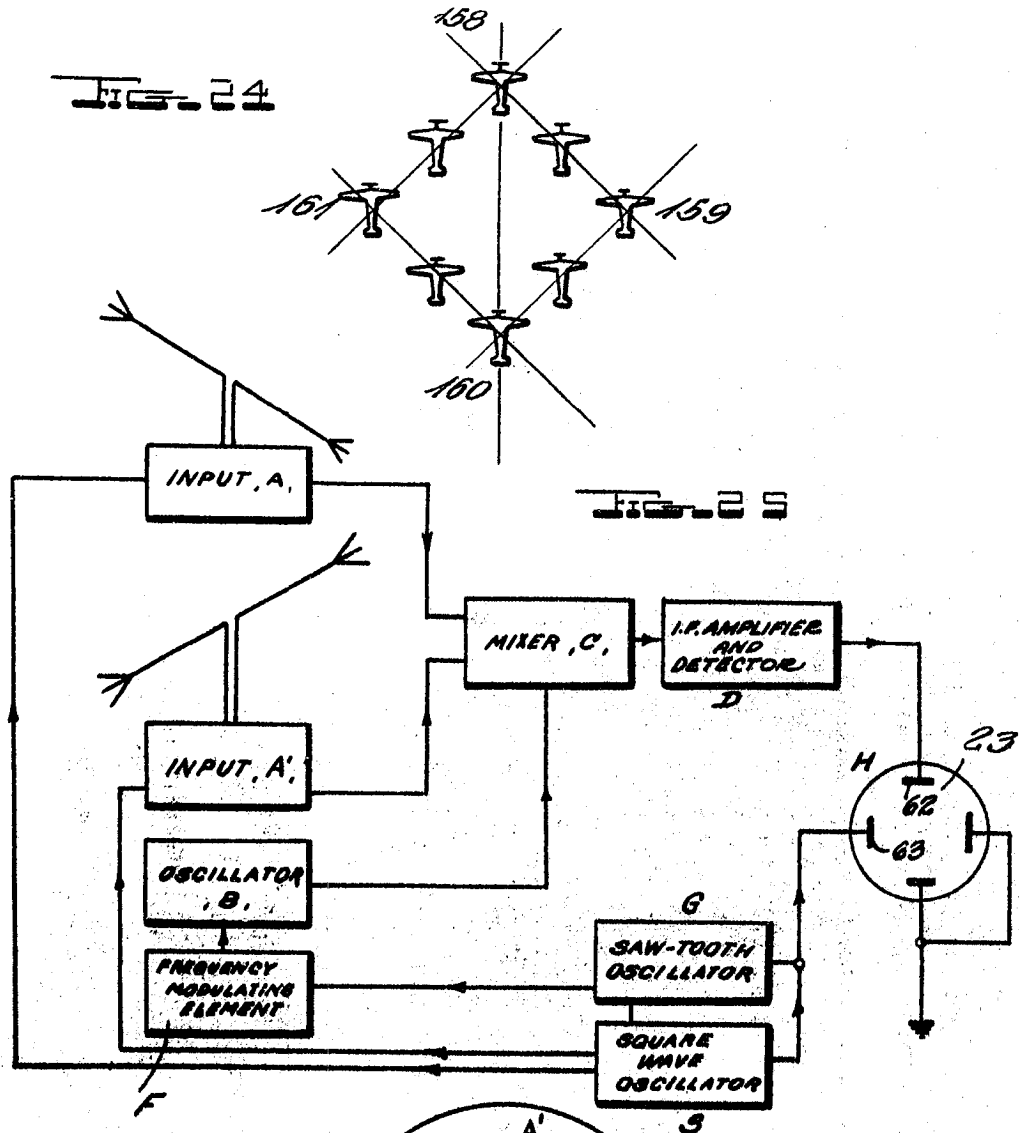
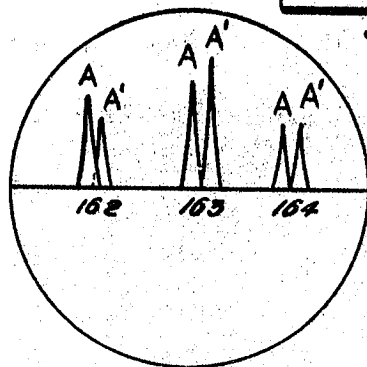


FIG. 26



Certified to be the drawings referred to in the specification hereunto annexed.

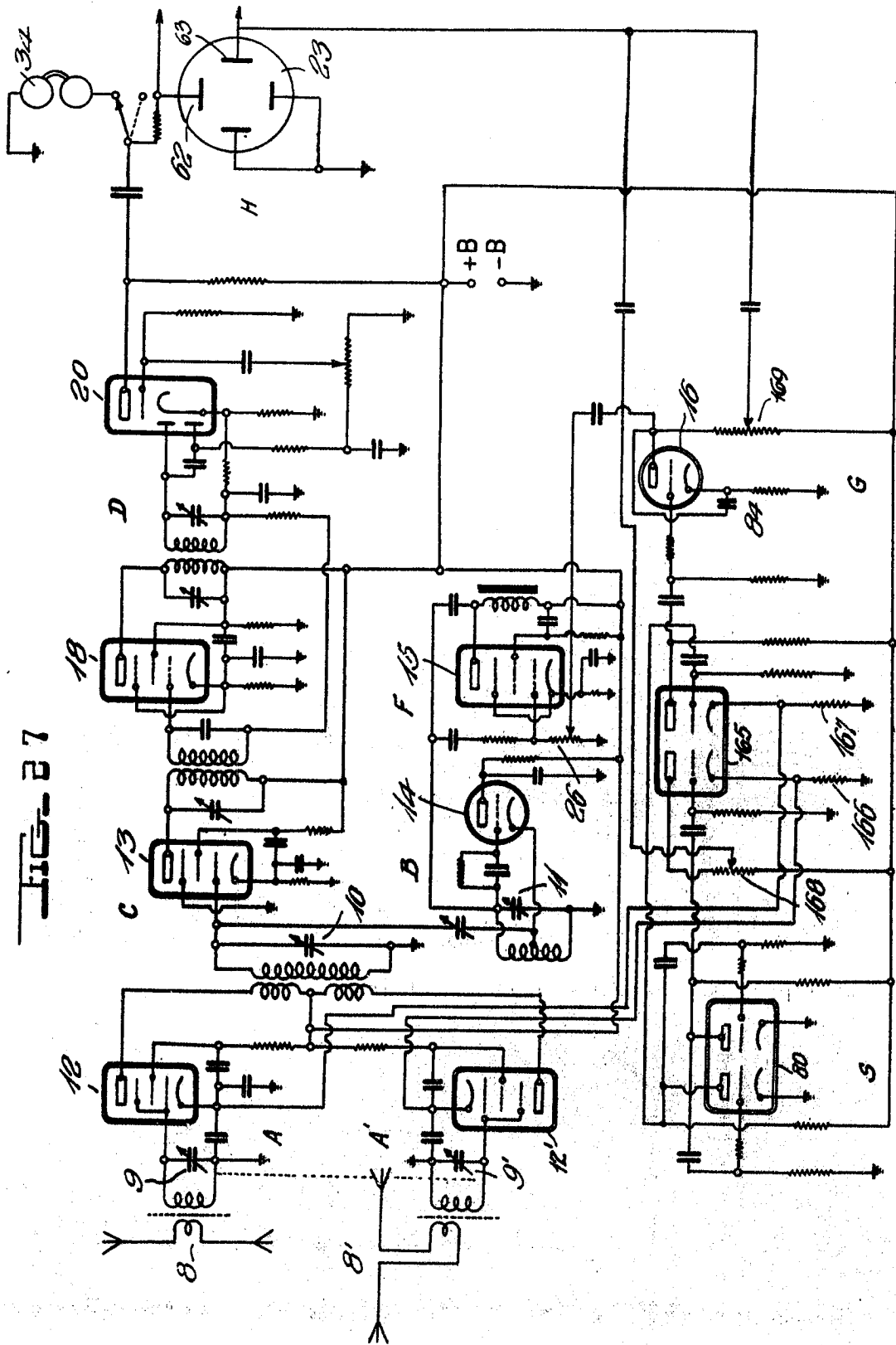
MONTREAL, APRIL 2<sup>TH</sup> 1941

INVENTOR

M. WALLACE

BY *Fetherstonhaugh & Co.*  
ATTORNEYS

FIG. 27



Certified to be the drawings referred to  
in the specification hereunto annexed.

MONTREAL APRIL 2<sup>TH</sup> 1941

1941

INVENTOR

M. WALLACE

BY *Fisherstonhaugh Co.*  
ATTORNEYS

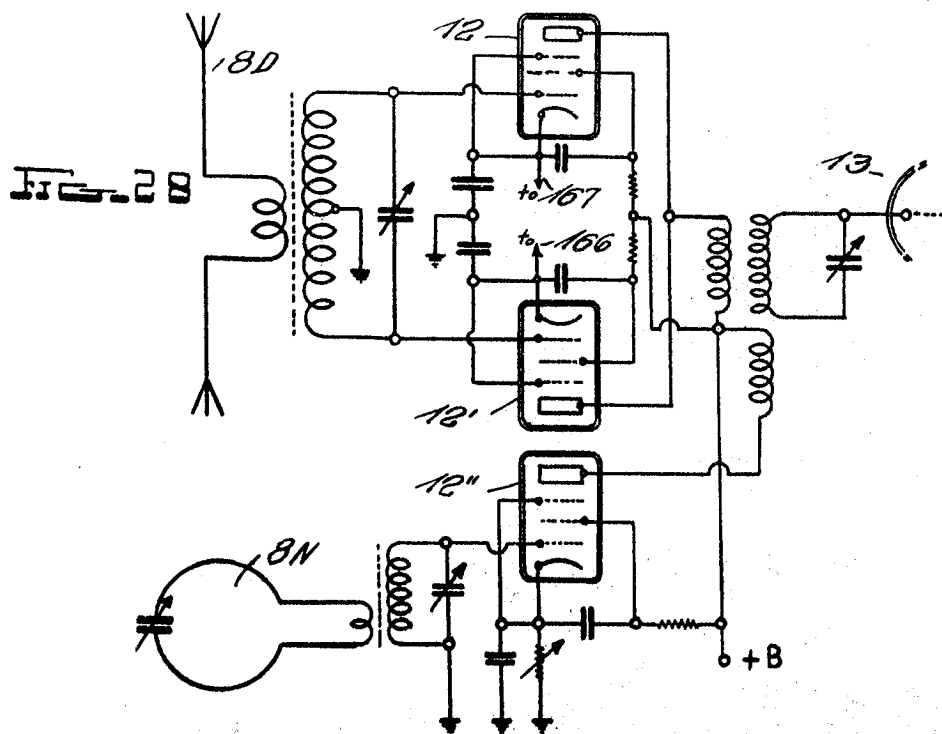


FIG. 30

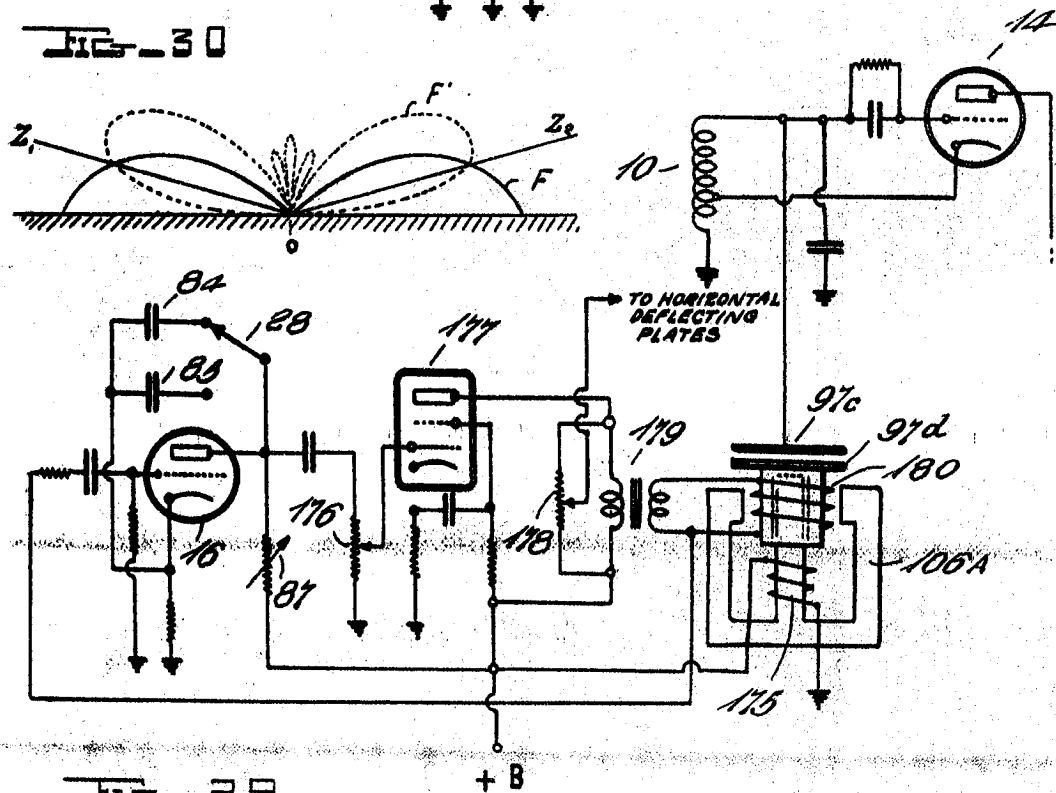


FIG. 29

Certified to be the drawings referred to  
in the specification hereunto annexed.

MONTREAL, APRIL 12<sup>TH</sup>, 1941

INVENTOR

M. WALLACE

BY *Jethorstonhaugh & Co*

ATTORNEYS